



Single-phase, oil-filled, earthed voltage transformer (ZNOM-35-I) is designed for application as a mean of verification of industrially produced voltage transformers, can be used for transmission of the measuring information signal onto the measuring instruments during high-voltage tests of electrical equipment.

Characteristic features of this transformer are that it is manufactured multirange, i.e. is designed for six transformation ratios, has high class of accuracy, relatively small overall dimensions and mass.

The range of operating temperatures is from + 10°C to + 40°C.

The main parameters and characteristics of the transformer are given in the Table.

Exterior of ZNOM-35-I transformer is shown on the photo and in Figure.

TECHNICAL CHARACTERISTICS

Name of parameters	Measurement units	Value
Rated values of primary voltages	kV	$3/\sqrt{3}$; $6/\sqrt{3}$; $10/\sqrt{3}$; $15/\sqrt{3}$; $24/\sqrt{3}$; $35/\sqrt{3}$
Rated value of secondary voltage	V	$100/\sqrt{3}$
Rated transformation ratios		30; 60; 100; 150; 240; 350
Rated power ($\cos \varphi=0.8$)	V·A	5
Rated frequency	Hz	50
Accuracy class		0.05
Mass	kg	145

On agreement between the Manufacturer and the Customer the above parameters and characteristics can be changed.

TEST INSTALLATIONS

At the Customer's request voltage transformers can be completed with step-up transformer, start-and-control gear and measuring means, which help to ensure performance of tests on determination of errors from 0.4 kV power source.

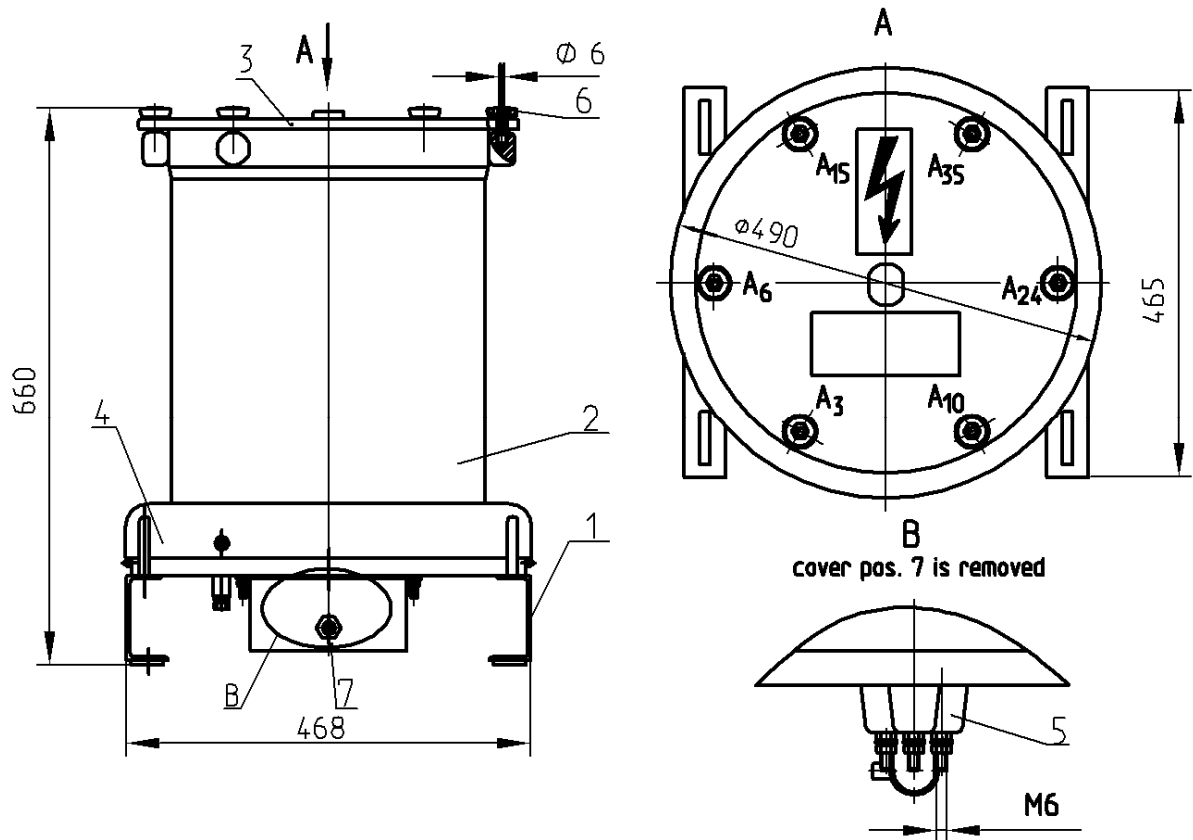
ZNOM-35-I VOLTAGE TRANSFORMER

Figure. Design, overall and interface dimensions of ZNOM-35-I transformer

1 – base; 2 – cylinder; 3 – flange; 4 – shield; 5 – LV terminal;
6 – HV terminal; 7 – cover.